

ECS-5600-5G

Intel® Core™ i7/ i5/ i3 Fanless Embedded System with Intel® QM67 Chipset, 5 Gigabit LAN, 2 eSATA, 4 COM, 6 USB, 16 GPIO, High Performance, Rugged, Extended Temperature



Features

- Intel® Quad Core™ i7/ i5/ i3 Processor
- Supports VGA + DVI-D Dual Display
- Fanless, -25°C to 70°C Operating Temperature
- 6V to 36V DC-in, 80V Surge Protection
- 5 Independent Gigabit LAN, iAMT 7.0 supported
- SIM Card Socket for 3G/ 4G/ LTE/ WiFi/ GPRS/ UMTS
- 2 Mini PCIe, 2 SATA III, 1 SATA II
- 2 eSATA, 4 COM, 6 USB
- 2 2.5" SSD/ HDD, 1 Front-access CFast Socket
- 16 GPIO



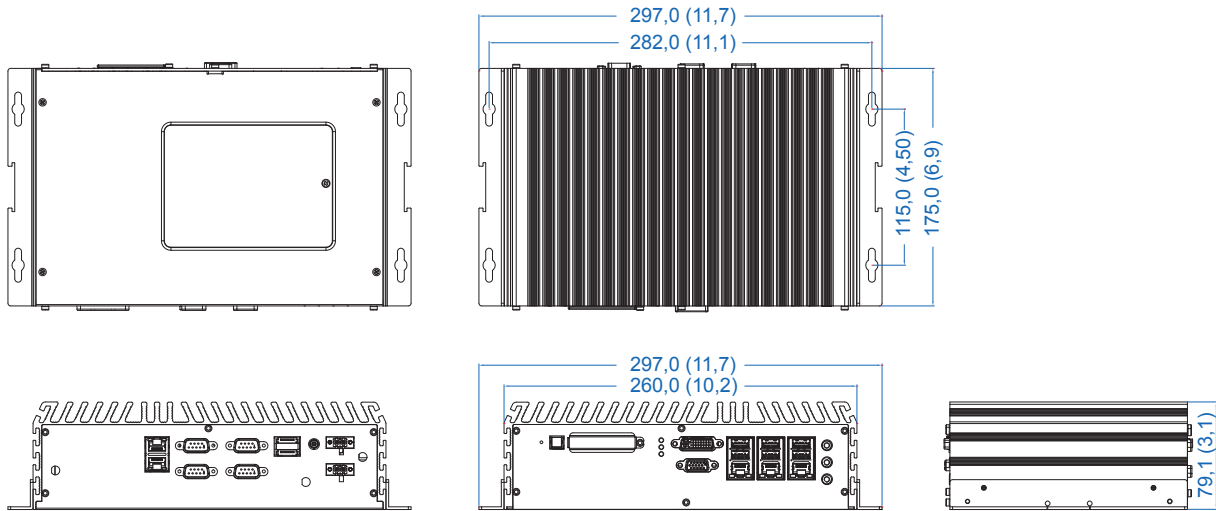
Specifications

System	
Processor	Intel® Core™ i7-2710QE/ i5-2510E/ i3-2330E/ Celeron® B810
Chipset	Intel® QM67
BIOS	Phoenix UEFI
SIO	Nuvoton NCT6106D
Memory	2 DDR3 1066/ 1333 MHz SO-DIMM, up to 16GB
I/O Interface	
Serial	<ul style="list-style-type: none"> ▪ 1 COM RS-232/ 422/ 485 ▪ 3 COM RS-232
USB	6 USB 2.0 (External)
GPIO	16 GPIO : 8 DI, 8 DO (Internal)
LED	WDT, CFast, HDD, Power
SIM Card	1 SIM Card Socket (Internal)
Expansion	
Mini PCIe	<ul style="list-style-type: none"> ▪ 1 Mini PCIe Socket ▪ 1 Mini PCIe for Internal SIM Card
Graphics	
Graphics Processor	Intel® HD Graphics 3000
Display Memory	Shared Memory, up to 1.7GB
Interface	Dual Display : <ul style="list-style-type: none"> ▪ VGA : Up to 2048 x 1536 ▪ DVI-D : Up to 1920 x 1200
Storage	
SATA	<ul style="list-style-type: none"> ▪ 2 SATA III (6Gbps) ▪ 1 SATA II (3Gbps)
eSATA	2 SATA II (External, 3Gbps)
Storage Device	<ul style="list-style-type: none"> ▪ 1 CFast Socket, Push-in/ Push-out Ejector ▪ 2 2.5" SSD/ HDD Bracket (Internal)
Audio	
Audio Codec	Realtek ALC892, 5.1 Channel HD Audio
Audio Interface	1 Line-in, 1 Line-out, 1 Mic-in
Ethernet	
LAN 1	Intel® 82574L Gigabit LAN
LAN 2	Intel® 82574L Gigabit LAN
LAN 3	Intel® 82574L Gigabit LAN

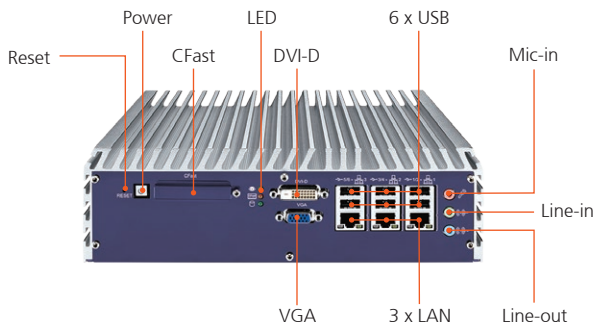
LAN 4	Intel® 82574L Gigabit LAN
LAN 5	Intel® 82579LM Gigabit LAN supports iAMT 7.0
Power	
Power Input	6V to 36V, DC-in
Power Interface	<ul style="list-style-type: none"> ▪ 2-pin Terminal Block : V+, V- ▪ DC Jack
Remote Switch	2-pin Terminal Block
Surge Protection	Up to 80V/1ms Transient Power
Others	
Watchdog Timer	Reset : 1 to 255 sec./min. per step
Smart Management	Wake on LAN, PXE supported
HW Monitor	Monitoring temperature, voltages. Auto throttling control when CPU overheats.
Software Support	
OS	Windows 7, Windows XP, Linux
Mechanical	
Dimensions (W x L x H)	260mm x 175mm x 79mm (10.2" x 6.9" x 3.1")
Weight	2.8 kg (6.2 lb)
Mounting	<ul style="list-style-type: none"> ▪ Wallmount by mounting bracket ▪ 2U Rackmount (Optional)
Environment	
Operating Temperature	-25°C to 70°C (-13°F to 158°F)
Storage Temperature	-40°C to 85°C (-40°F to 185°F)
Humidity	10% to 95% Humidity, non-condensing
Relative Humidity	95% @ 70°C
Shock	<ul style="list-style-type: none"> ▪ IEC 60068-2-27 ▪ SSD : 50G @ wallmount, Half-sine, 11ms
Vibration	<ul style="list-style-type: none"> ▪ IEC 60068-2-64 ▪ SSD : 5Grms, 5Hz to 500Hz, 3 Axis
EMC	CE, FCC, EN 50155, EN 50121-3-2

Dimensions

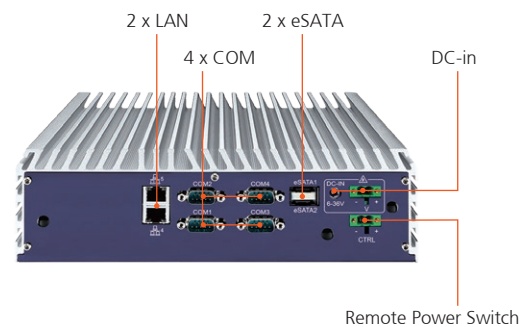
Unit : mm/ inch



Front I/O



Rear I/O



Order Information

ECS-5600-5G	ECS-5600 Fanless Embedded System, 5 GbE LAN, 2 eSATA, 4 COM, 6 USB, 1 SIM, 16 GPIO
i7-2710QE	Sandy Bridge 2 nd Gen Intel® Mobile Quad Core™ i7 Processor
i5-2510E	Sandy Bridge 2 nd Gen Intel® Mobile Quad Core™ i5 Processor
i3-2330E	Sandy Bridge 2 nd Gen Intel® Mobile Quad Core™ i3 Processor
M340S-W28M1	Vecow DDR3 4GB 1333/ 1066 MHz RAM, Wide Temperature -40°C to +85°C
Certified DDR3 4GB RAM	Certified DDR3 4GB 1333/ 1600 MHz RAM
Certified DDR3 8GB RAM	Certified DDR3 8GB 1333/ 1600 MHz RAM
PWA-90W	90W, 24V, 90VAC to 264VAC Power Adapter
VESA Mount	VESA Mounting Kit
DIN-RAIL	DIN Rail Kit
Rack Mount	2U Rackmount Kit
3G Module	Mini PCIe 3G/GPS Module with Antenna
4G Module	Mini PCIe 4G/GPS Module with Antenna
WiFi & Bluetooth Module	Intel® Mini PCIe WiFi & Bluetooth Module with Antenna

1

High Performance
Embedded System

2

Expandable
Embedded System

3

Ultra Compact
Embedded System

4

Multi-Touch
Computer/ Display

5

Frame
Grabber